

SPEED OF SAFE
CONNECTIONS

VALVEXPRO™

NEW

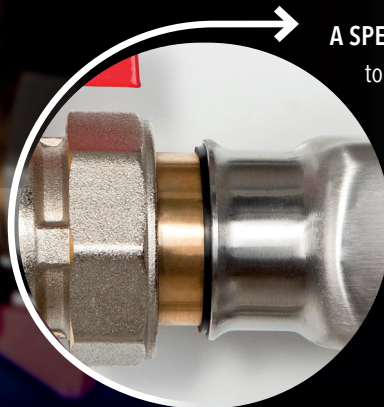


ONYX BASE

BALL VALVE WITH TAIL PIECE AND EPDM SEALING FOR MANIFOLDS

The **ONYX BASE** straight and angle ball valve with a EPDM seal is a equipment dedicated to the connection of brass and INOX manifolds, which threads are adapted to EPDM conical seals.

A **SPECIALLY DESIGNED SEAL** adheres perfectly to the thread (flange) of BASE and PROFF manifolds, ensuring a tight connection without the need for additional sealing.



GUARANTEE
25
YEARS
LIMITED

PN10

95°C

GLYCOL

MAX. WORK PRESSURE

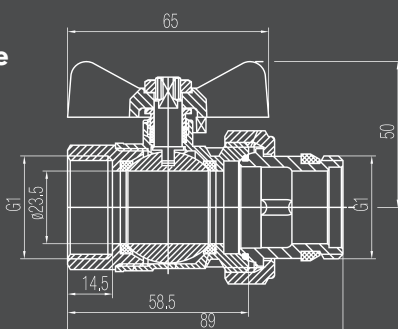
PN 10

MAX. WORK TEMPERATURE

95°C

Straight valve

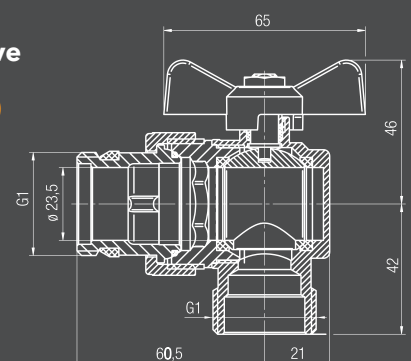
1454140



NEW

Angle valve

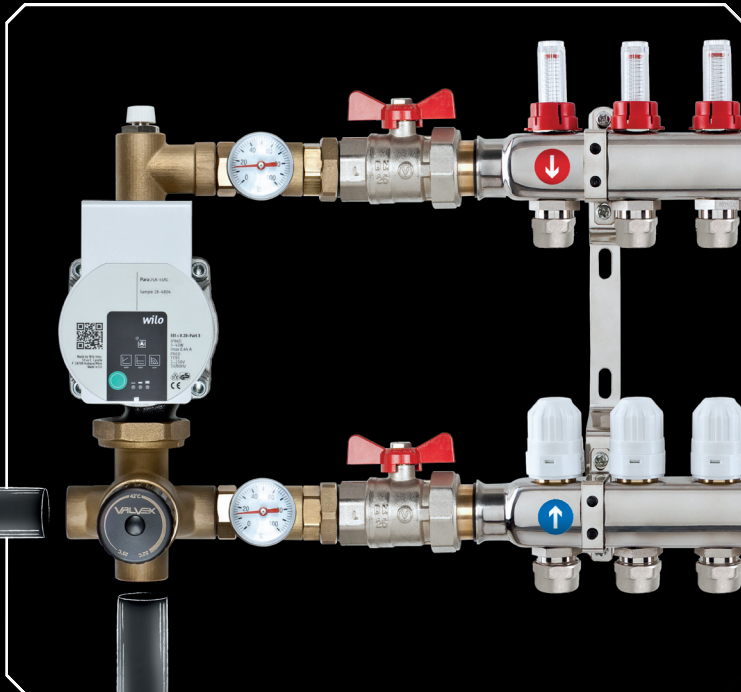
1454120



ONYX BASE

**BALL VALVE WITH TAIL PIECE
AND EPDM SEALING FOR MANIFOLDS**

EXAMPLES OF THE APPLICATION OF VALVES IN THE INSTALLATION



- ▶ **RELIABLE CONNECTION** - specially designed seal adheres perfectly to the thread (flange) of BASE and PROFF manifolds, ensuring a tight connection without the need for additional sealing.
- ▶ **EASY ASSEMBLY** - thanks to half union: the nut with a thread is screwed to the manifold with the use of an end spanner, and then the valve body is tightened,
- ▶ **SAVING SPACE IN A DISTRIBUTION BOX** - an angle version allows to use a smaller size of the manifold cabinet and makes the connection with the heat source easier.

- **Materials:** body, nut, ball: brass; ball and stem seal: PTFE; connector seal: EPDM; butterfly handle: aluminium alloy. Inner body with NICKEL-FREE system.
- **Flow cut-off:** Yes
- **Installation location:** Cut-off valves for a central heating and domestic hot water installations
- **Medium:** Water/ Glycol
- **Max temperature of medium:** 95°C
- **Max. pressure:** PN10
- **Pressure class:** MOP 5
- **Dimension:** DN25
- **Guarranty:** 25 years

**SPEED OF SAFE
CONNECTIONS**

Valvex S.A., ul. Nad Skawą 2, 34-240 Jordanów, Poland
tel. +48 18 269 32 20, 269 32 49, fax +48 18 269 32 11
e-mail: valvex@valvex.com
www.valvex.com

VALVEX